



**COLIBRI[®]
TECHNICS**

NEW

Direct To Film
Transfer Printer



Colibri **R620** DTF ULTIMA

High-speed DTF Printer



PRECISION**CORE** Hoson Board



Next-generation print head technology

PrecisionCore is a new printing technology using a revolutionary high-density print chip that can generate up to 40 million precise dots per second with astonishing accuracy—producing professional quality output at dramatic speeds.

Powered by

EPSON[®]

2/4 AUTHORIZED PRINTHEADS

www.colibrитеchnics.com

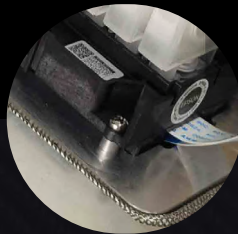
Not sure which direct-to-film printer is right for you and your project? Come to OEM customization

Our vision is to become a one-stop manufactory that meets your personalized customization requirements for DTF equipment, providing excellent DTF machines and factory services. And we can provide your company with powder shaker machine matching items to meet the needs of different dealers for personalized brand customization !



Sprinkler free installation

After you receive the printer , there is no necessary to install the print heads. After installing the ink and simple debugging , it can be printed directly.



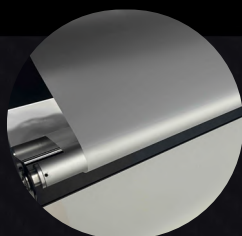
Print Heads base heating

The print heads base has an external heating function, make the printer can work normally in an environment with large temperature differences, ensure good ink mobility during the printing process.



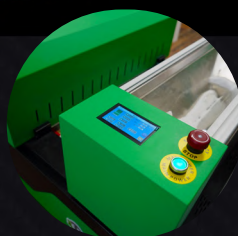
Automatically moisturize online

To prevent the ink from clogging the heads, moisturizer at regular intervals to keep the heads clean and moist . Online humidification system, which can keep the best working condition of the .



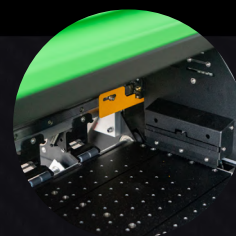
Tension bar media feeding

The intelligent tension bar film feeding system makes feeding more accurate and stable



Powder Control System

Better control the precise amount of powder, avoid unnecessary waste, reduce the number of powder return & powder pouring, reduce manual operation costs.



THK mute guide

The upper and lower double rows of high - efficiency heating lamps , combined with a unique intelligent heating solution , can save 30% of power consumption

ColibriTechnic is carefully designed to reduce maintenance to a minimum.

With popular RIP software each print will be produced in a quality way beyond any competition, but still a inkjet dtf every aspect of the print will be optimized in order to make it cost effective.

- More Intelligent
- Low Maintenance
- High volume production

- More convenient operation
- Self preservation function
- With upgradeable options

Applications of DTF Printer

Commonly used products such as T-shirts, hats, backpacks, lanyards, shoes and more to create unique fashion pieces. It can also be used in denim clothes, non-woven bags, gift bags, pearl clothing, baseball caps, fabric gift boxes, etc. Make your travel outfit unique.



ColibriDigital DTF inks

All our DTF inks are specially developed and test to ensure vivid colors and maximum fastness

Wide Range Of Printing Supplies

Colibri Digital supports wide range of printing supplies



Printing Speed 2xi3200 A1 Epson Print Heads

360x1800dpi - 4 pass

12.0 m²/h

720x1200dpi - 6 pass

9.0 m²/h

Printing Speed 4xi3200 A1 Epson Print Heads

360x1800dpi - 4 pass

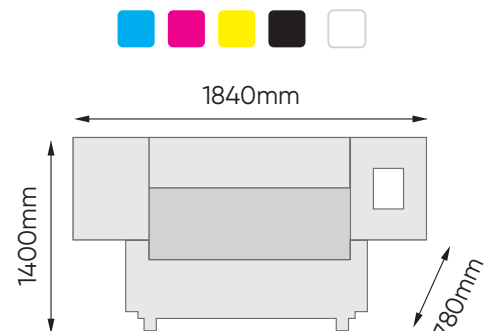
24 m²/h

720x1200dpi - 8 pass

18.0 m²/h

Digital Heat Transfer Printing Machine

Print Head	2/4 *i3200 A1 Print Heads	
Printing Technology	Piezo Inkjet Printing	
Media	Width	620mm
	Material	PET Film
Printing Width	600mm	
Ink Cartridges	Type	Transfer Pigment Ink
	Capacity	Continual Ink Supply System (220ML)
	Color	CMYK+W
Applicable Medium	Transfer film	
Color Manage	ICC or density curve	
Media Heating System	Powder & color fixing machine	
Interface	RJ-45/LAN	
Rip Soutware	Main top & PhotoPrint	
Power Supply	50HZ/60HZ,220V/110V/10A	
Enviroment	Tempera- ture	20°C to 28°C
	Humidity	65% to 75%
Printer Dimensions	With Stand	L1840*W780*H1400mm
Package Dimensions	L1900*W930*H1320	
Weight	165kg	



Shaking Powder and Color Fix Machine

Powder Control	Powder shake control, powder control, powder direction and volume control
Heating & Drying Function	The upper and lower double rows of high - efficiency heating lamps , drying, cold air fan function
Rewind Function	Automatic induction winding
Electrical Parameters	Rated Voltage: 220V Related Power: 3.42Kw
Packing Size & Weight	1900* 1120* 1180mm G.W. 235kg N.W.210kg
Powder Shaker Size	1780*980*1040mm / 1780*1100*1040mm
Media Width	0-600mm

